

Type K10

DN 6 - 15
PN 40 - 630

Globe Valve

Butt-Welded

Data Sheet

Edition: EN 9 / 2015

© MPOWER Engineering, a.s.
Pod vinicí 2028/20, Modřany, 143 00 Praha 4, CZ
T: +420 225 371 300, F: +420 225 371 325
E: info@mpowergroup.eu, W: www.mpowergroup.eu

together we are strong
www.mpowergroup.eu

Content

Application3
Technical description3
Testing3
Installation.....3
Operation.....3
Connection.....3
Materials of main parts3
Dimensions4
Operating data4

Copyright

All rights reserved. No content provided herein may be copied, distributed or otherwise reproduced without previous written approval of the company MPOWER Engineering, a.s.

© MPOWER Engineering, a.s., Praha 2015

Contact

MPOWER Engineering, a.s.
Pod vinicí 2028 / 20
143 00 Praha 4 – Modřany, CZ

T: +420 225 371 300
F: + 420 225 371 325
E: info@mpowergroup.eu
W: www.mpowergroup.eu



Application

- Shut-off valve
- **Fluids**
Water, steam; in case of stainless steel version, it can be used also for aggressive fluids and gases
- **Industry**
Heat distribution, cooling technology, chemical and petrochemical industry, food industry (in case of stainless steel version)

Technical description

- Valve body is die forging
- Movable rotary stem is made from austenitic steel in all versions
- Exchangeable stem nut made from chrome steel is within the body

Testing

- The valves are tested with water for strength, impermeability, operational capacity and tightness depending on the operating parameters and body material according to EN 12266-1
- Minimum pressure for the strength test is 1.5 x PN

Installation

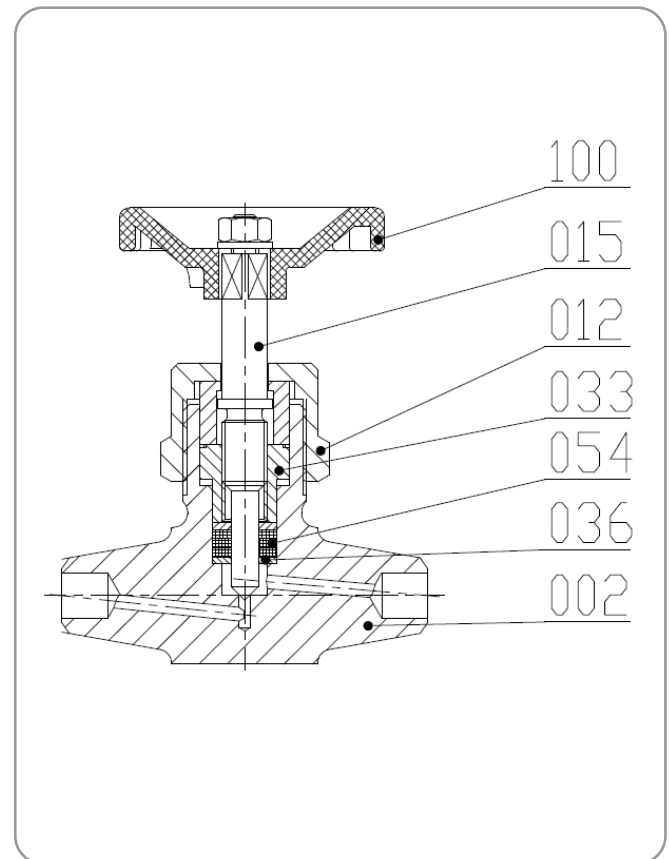
- Valves may be installed in any position, with the direction of flow of fluid under the plug

Operation

- Hand wheel (with lock device on demand)

Connection

- With butt-welded ends or flanged according to CSN, EN, DIN, ANSI, GOST or on demand



Materials of main parts

Pos.	Name	Material		
002	Body	P250GH (1.0460)	10CrMo9-10 (1.7380)	X6CrNiTi18-10 (1.4541)
012	Nut	X20Cr13		
015	Stem	X6CrNiTi18-10		
033	Stem nut	X12Cr13		
036	Ring	X30Cr13		
054	Sealing ring	Expanded graphite – 1,6 g/cm ³		
100	Hand wheel	F-8449-1444		

Dimensions

DN	PN	L mm	H mm	Z mm	Dk mm	M kg
6	40-630	80	15	5	60	0,8
10	40-630	80	15	5	60	0,8
15	40-630	80	15	5	60	0,8

Operating data

Material of body	PN	Working pressure MPa / Working temperature °C									
		100	150	200	250	300	350	400	450	500	600
P250GH (1.0460)	40	4	4	4	3,59	3,13	2,67	2,09	1,6	-	-
	100	10	10	10	9	7,8	6,7	5,2	4	-	-
	250	25	25	25	22,5	19,6	16,7	13	10	-	-
	400	40,0	35,9	31,3	26,7	23,2	18,6	13,9	-	-	-
	630	63,0	56,6	49,3	42,0	36,5	29,2	21,9	-	-	-
10CrMo9-10 (1.7380)	40	4	4	4	4	4	4	4	3,83	3,13	0,79
	100	10	10	10	10	10	10	10	9,6	7,8	2
	250	25	25	25	25	25	25	25	23,9	19,6	4,9
	400	40,0	40,0	40,0	40,0	40,0	38,3	35,9	31,3	23,9	18,1
	630	63,0	63,0	63,0	63,0	63,0	60,3	56,6	49,3	37,6	28,5
X6CrNiTi18-10 (1.4541)	40	4	3,94	3,87	3,41	3,15	3,01	2,9	2,81	2,76	1,99
	100	10	9,9	9,7	8,5	7,9	7,5	7,2	7	6,9	5
	250	25	24,6	24,2	21,3	19,7	18,8	18,1	17,5	17,2	12,5
	400	40,0	38,7	34,1	31,5	30,1	29,0	28,1	27,6	27,5	27,4
	630	63,0	61,0	53,7	49,7	47,5	45,7	44,2	43,5	43,3	43,2

