

Type K50

DN 15 - 65
PN 63 - 160

Globe Valve

Butt-Welded

Data Sheet

Edition: EN 9 / 2015

© MPOWER Engineering, a.s.
Pod vinicí 2028/20, Modřany, 143 00 Praha 4, CZ
T: +420 225 371 300, F: +420 225 371 325
E: info@mpowergroup.eu, W: www.mpowergroup.eu

together we are strong
www.mpowergroup.eu

Content

Application	3
Technical description	3
Installation.....	3
Testing	3
Operation.....	3
Connection.....	3
Materials of main parts	3
Dimensions	4

Copyright

All rights reserved. No content provided herein may be copied, distributed or otherwise reproduced without previous written approval of the company MPOWER Engineering, a.s.

© MPOWER Engineering, a.s., Praha 2015

Contact

MPOWER Engineering, a.s.
Pod vinicí 2028 / 20
143 00 Praha 4 – Modřany, CZ

T: +420 225 371 300
F: + 420 225 371 325
E: info@mpowergroup.eu
W: www.mpowergroup.eu



Application

- Valve designed for closing or draining liquid and gaseous media
- **Fluids**
Water, steam, air, petroleum products, natural gas, gas condensate, technological solutions, oxygen, liquid and non-aggressive gases
- **Industry**
Power engineering, chemical and petrochemical industry

Technical description

- Stem is rotating, rising
- Plug is the closing element of the valve
- Valve opening is provided slowly, with gradual suspension of the stroke, to prevent hydraulic and thermal shocks in the valve

Installation

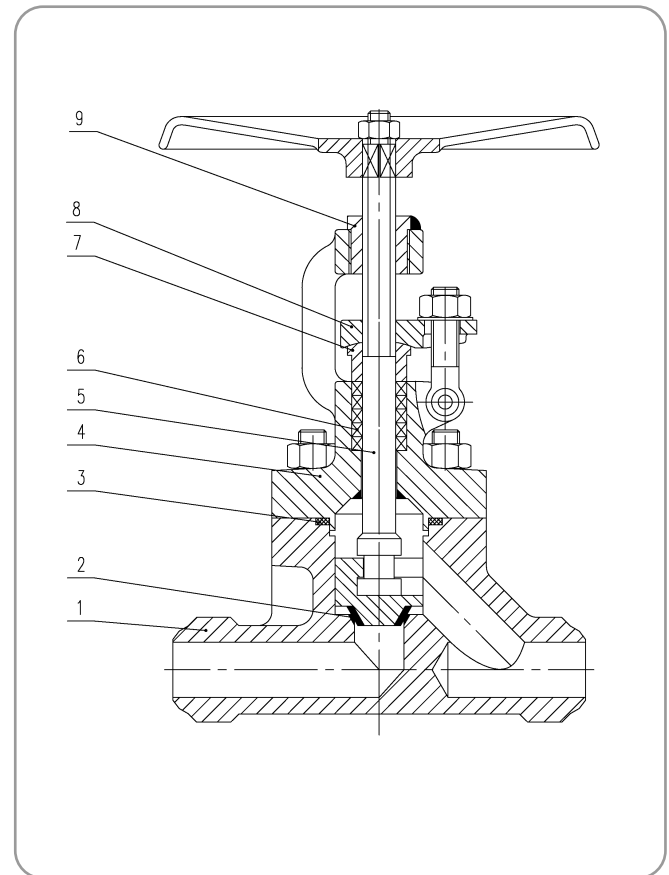
- Valves may be installed in any position, direction of the flow is under the plug

Testing

- Valves are pressure tested with water for strength and tightness in accordance with working parameters and material of body according to EN-12266
- Minimum pressure for the strength testing is 1,5 x PN

Operation

- Hand wheel (with locking device, if required)
- Electric actuator
- Gear box
- Flange ISO 5210 (ready for actuator)



Connection

- Butt-welded according to EN-12627, flanged according to EN1092-1 or according to customer request
- Face to face dimensions according to EN-558-1

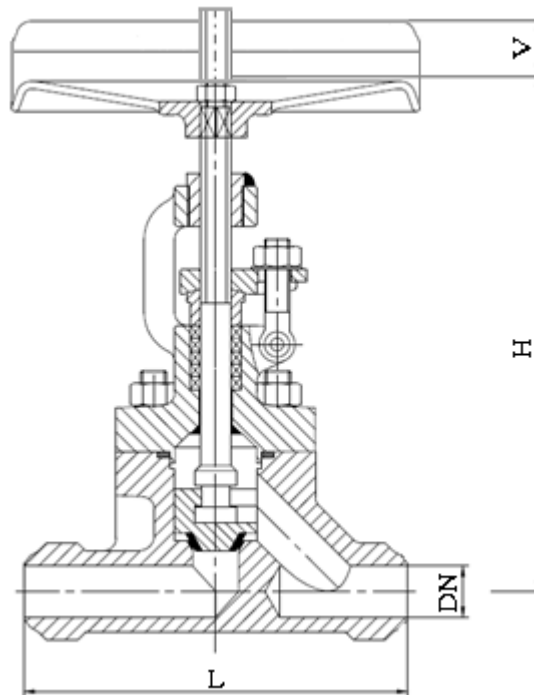
Materials of main parts

Pos.	Name	Material	
1	Body	1.0460	1.7335
2	Seat	Stellite 6	Stellite 6
3	Stem	Graphite + stainless steel	Graphite + stainless steel
4	Gasket	1.0460	1.7335
5	Bonnet	A182 F6	25Cr2MoV
6	Packing	Graphite	Graphite
7	Gland	13Cr	13Cr
8	Gland flange	1.0460	1.7335
9	Stem nut	1.4006	1.4006

Operating data

Material	PN	Working pressure MPa / Working temperature °C														
		100	150	200	250	300	350	400	425	450	475	500	525	550	575	595
1.0460	63	5,77	5,62	5,45	5,19	4,81	4,59	4,29	3,57	-	-	-	-	-	-	-
	100	9,15	8,92	8,65	8,23	7,64	7,29	6,81	5,67	-	-	-	-	-	-	-
	160	13,91	13,56	13,14	12,51	11,62	11,09	10,35	8,62	-	-	-	-	-	-	-
1.7335	63	6,40	6,19	5,96	5,74	5,33	5,00	4,55	4,36	4,20	3,94	3,14	2,26	1,58	1,09	0,79
	100	10,16	9,82	9,47	9,11	8,46	7,94	7,22	6,92	6,67	6,25	4,98	3,58	2,51	1,74	1,15
	160	15,44	14,92	14,39	13,85	12,86	12,07	10,94	10,53	10,14	9,50	7,57	5,45	3,81	2,64	1,86

Dimensions



DN	L mm	H mm	V mm	m kg
15	150	200	13	4,2
20	150	205	18	4,6
25	160	225	20	5,8
32	180	245	25	8,8
40	210	290	42	14
50	250	335	50	19
65/50	250	340	50	19