

Type K89

DN 15
PN 63 - 630

Relief Valve

Membrane Rupture Insurance Devices

Butt-Welded

Data Sheet

Edition: EN 9 / 2015

© MPOWER Engineering, a.s.
Pod vinicí 2028/20, Modřany, 143 00 Praha 4, CZ
T: +420 225 371 300, F: +420 225 371 325
E: info@mpowergroup.eu, W: www.mpowergroup.eu

together we are strong
www.mpowergroup.eu

Content

Application	3
Technical description	3
Accessories.....	3
Connection.....	3
Operating and maintenance	3
Operating data	3
Operation	3
Directives and standards	3
The increase of the pressure in central cavity of the valve , depending on volume fraction of water and temperature changes .	4
Materials of main parts	4
Advantages of construction.....	5

Copyright

All rights reserved. No content provided herein may be copied, distributed or otherwise reproduced without previous written approval of the company MPOWER Engineering, a.s.

© MPOWER Engineering, a.s., Praha 2013

Contact

MPOWER Engineering, a.s.
Pod Vinicí 2028 / 20
143 01 Praha 4 – Modřany, CZ

T: +420 225 371 300
F: + 420 225 371 325
E: info@mpowergroup.eu
W: www.mpowergroup.eu



Application

- Protection of the central cavity of the valve against overpressure
- **Fluids**
Water, steam and non-aggressive working fluids
- **Industry**
Power plants, chemical and industry appliances

Technical description

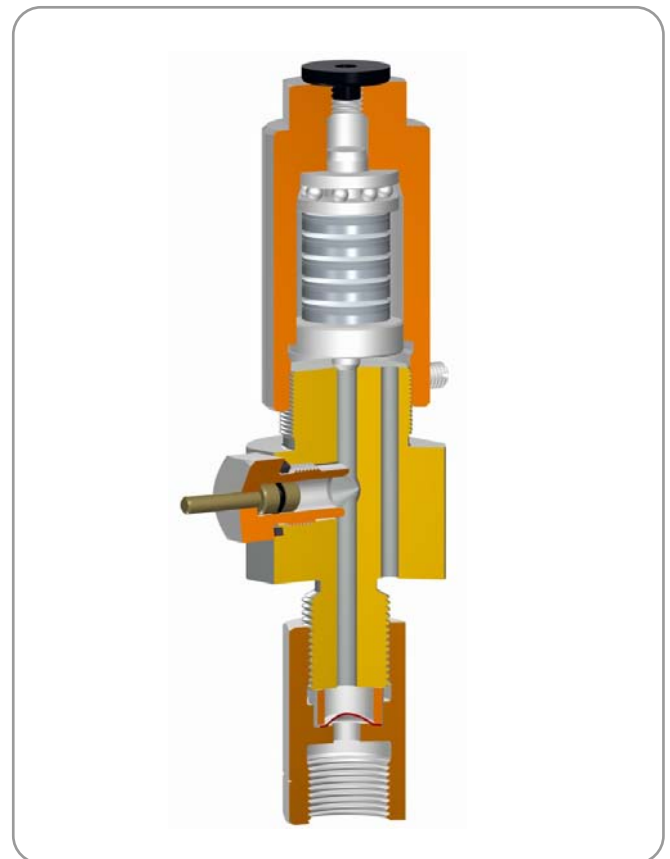
- Body made of stainless steel
- Protected by bursting disc
- Blow off by the part with disc springs
- Membrane rupture indicator

Accessories

- Condensing pipe
- Shut-off valve with the locking device
- Coupling components with seal

Connection

- Butt-welded according to ČSN EN 12627, ČSN 131075, DIN 2559
- Other upon request



Operating and maintenance

- AK 9908.89 – Technical description and instructions to operating, maintenance and repair of the relief valve

Operating data

- Seals up to 1,1 operating pressure P_p , blows off at 1,3 P_p

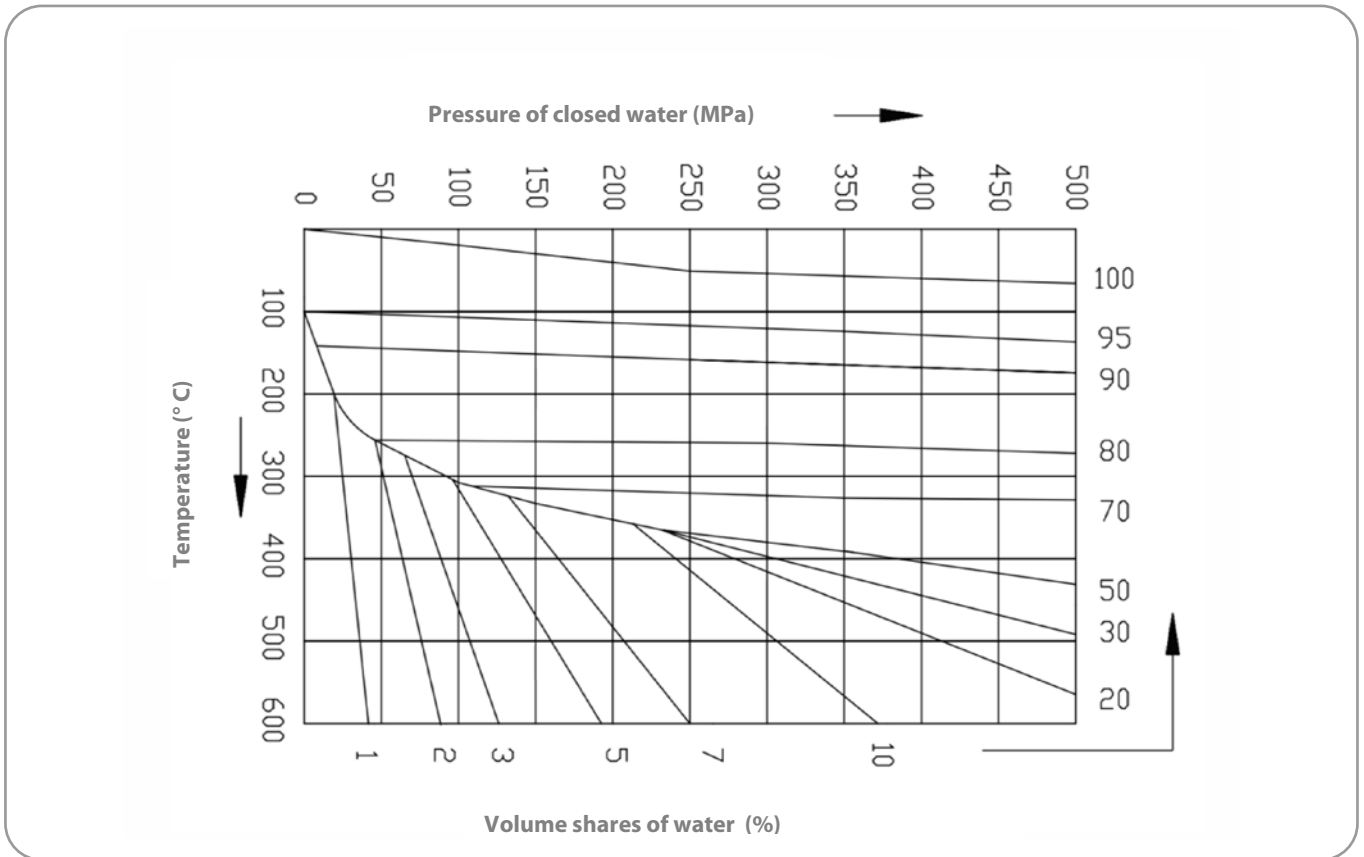
Operation

- Self-acting

Directives and standards

Directive / standard	Name
97/23/ES	Directive of European Parliament
ČSN EN 19	Industrial valves – marking of the metal valves
ČSN EN 1503-1	Valves – Materials for bodies, covers with holes and covers – Part 1
ČSN EN 10204	Types of documents of controls
ČSN EN 12266-1	Industrial valves – Testing of valves – Part 1: Pressure testing
ČSN EN 12516-2	Industrial valves – Strength design of the casing – Part 2: The calculation method for the steel casing of the valve
ČSN EN ISO 4126-2	Safety device with a bursting disc
DIN 2093	Disc mats

The increase of the pressure in central cavity of the valve , depending on volume fraction of water and temperature changes

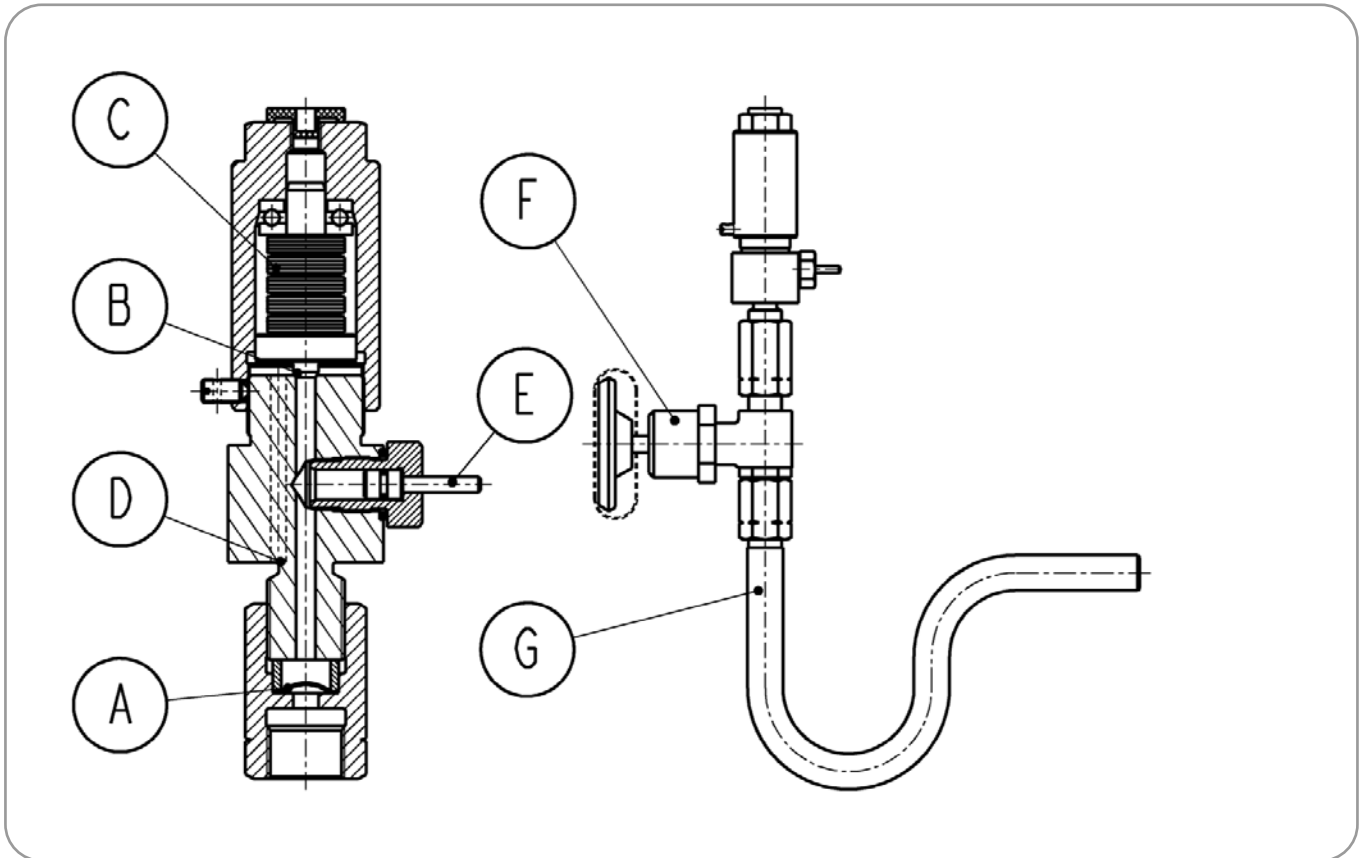


Materials of main parts

Name	Material			
Body of the secured valve	11416, P250GH	15128	X10CrMoVNb9-1	08X18H10T
	13CrMo4-5	10CrMo910		X6CrNiTi18-10
	15NiCuMoNb5-6-4	11CrMo9-10		
	16Mo3 (15Mo3)	14MoV6-3		
Condensing loop	16Mo3	11CrMo9-10	X10CrMoVNb9-1	08X18H10T X6CrNiTi18-10
Body K89	08X18H10T, X6CrNiTi18-10			
Shut-off valve	AN 137517 – A – PN 630			
Sealing	424005			
Bursting disc	NI			
Disc spring	DIN 2093			
Sealing ring	DIN 7603			
Indicator	08X18H10T, X6CrNiTi18-10			
Sealing ring	17027			
„O” ring	Rubber			

Note: Spare parts – bursting disc – 2 pcs. with delivery

Advantages of construction



A	Bursting device: Reliable valve protection against overpressure
B	Closing seat of the blow off part: Blow-off and closing of the flow after bursting of the bursting disc
C	Disc springs: Ensure closing
D	Drain: Safe removal of the working fluid
E	Bursting signalization: Information for operating staff and control centre
F	Globe valve with locking device: Prevents manipulation during operation, closes during changing of bursting disc
G	Condensing pipe: Lowers temperature of medium, allows position outside the isolation of the valve